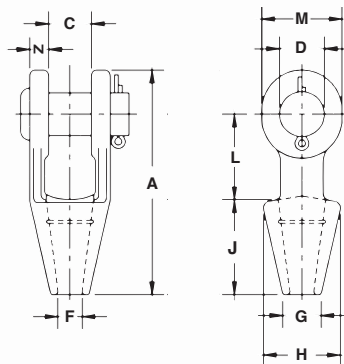


G-416 capocorda a testa fusa aperto — G-416 open spelter sockets

Codice Code	Diametro fune Rope dia.	Diametro strallo Structural strand dia.	Carico di rottura Breaking load	Peso Weight	Dimensioni Dimensions										
					A mm	C mm	D mm	F mm	G mm	H mm	J mm	L mm	M mm	N mm	
no.	mm	mm	t	Kg/pc.											
EEN000009Z	8-10	-	12.0	.59	123	20.6	20.6	12.7	20.6	42.9	57.0	44.5	38.1	11.2	
EEN000013Z	11-13	-	20.0	1.02	141	25.4	25.4	14.2	23.9	47.8	63.5	51.0	47.8	12.7	
EEN000016Z	14-16	12-13	27.0	1.63	171	31.8	30.2	17.5	28.7	57.0	76.0	63.5	57.0	14.2	
EEN000019Z	18	14-16	43.0	2.64	202	38.1	35.1	20.6	31.8	66.5	89.0	76.0	66.5	15.7	
EEN000022Z	20-22	18-19	55.0	4.38	235	44.5	41.4	23.9	38.1	82.5	102	89.0	79.5	20.3	
EEN000026Z	24-26	20-22	78.0	7.03	268	51.0	51.0	28.7	44.5	95.5	114	102	95.5	22.4	
EEN000028Z	28-30	24-26	92.0	9.75	300	57.0	57.0	31.8	51.0	105	127	117	105	25.4	
EEN000035Z	32-35	28	136	14.1	335	63.5	63.5	38.1	57.0	121	140	127	121	28.7	
EEN000038Z	38	30-32	170	21.4	384	76.0	70.0	41.4	70.0	133	152	152	137	30.2	
EEN000042Z	* 40-42	33-35	188	24.9	413	76.0	76.0	44.5	76.0	140	165	165	146	33.3	
EEN000048Z	* 44-48	36-40	268	37.2	464	89.0	89.0	51.0	79.5	162	191	178	165	39.6	
EEN000054Z	* 50-54	42-45	291	59	546	102	95.5	57.0	95.5	187	216	229	178	46.0	
EEN000060Z	* 56-60	46-48	360	76	597	114	108	63.5	102	210	229	254	197	54.0	
EEN000067Z	* 64-67	50-54	424	114	648	127	121	73.0	114	235	248	274	216	60.5	
EEN000070V	* 70-73	56-62	511	143	692	133	127	79.0	124	267	279	279	229	73.0	
EEN000076Z	* 75-80	64-67	563	172	737	146	133	86.0	133	282	305	287	241	76.0	
EEN000081Z	* 82-86	70-73	722	197	784	159	140	92.0	146	302	330	300	254	79.0	
EEN000087Z	* 88-92	76-80	779	255	845	171	152	98.5	165	314	356	318	274	82.5	
EEN000094Z	* 94-102	-	875	355	921	191	-	-	-	-	-	-	-	-	

* Fusione di acciaio legato - * Cast alloy steel



Temperatura di utilizzo: - 20 °C + 200 °C
 Finitura: zincato a caldo
 Efficienza terminale: 100 % MBL fune

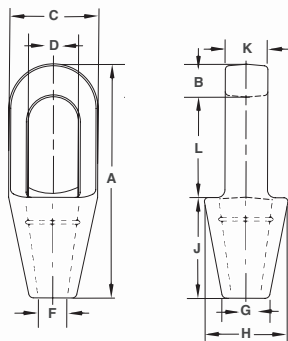
Temperature range: - 20 °C + 200 °C
 Finish: hot dip galvanized
 Terminations efficiency: 100 % MBL rope



G-417 capocorda a testa fusa chiuso — G-417 closed spelter sockets

Codice Code	Diametro fune Rope dia.		Carico di rottura Breaking load	Peso Weight	Dimensioni Dimensions									
	mm	inch			A mm	B mm	C mm	D mm	F mm	G mm	H mm	J mm	K mm	L mm
EEN010010Z	8-10	-	12.0	.59	125	15.8	42.9	24.6	12.7	20.6	42.9	57.2	17.5	52.3
EEN010013Z	11-13	-	20.0	1.02	140	17.5	51.0	29.5	14.2	23.9	51.0	63.5	22.4	58.7
EEN010016Z	14-16	12-13	30.8	1.63	162	20.6	67.0	35.8	17.5	30.2	67.0	76.2	25.4	65.0
EEN010019Z	18	14-16	43.5	2.64	194	26.9	76.2	42.2	22.4	33.3	70.0	89.0	31.8	77.7
EEN010022Z	20-22	18-19	65.3	4.38	226	33.3	92.0	49.3	25.4	38.1	82.5	102	38.1	90.5
EEN010026Z	24-26	20-22	81.6	7.03	254	36.6	105	58.5	28.7	44.5	95.5	114	44.5	103
EEN010028Z	28-30	24-26	100	9.75	283	39.6	114	65.0	31.8	51.0	105	127	51.0	116
EEN010035Z	32-35	28	136	14.1	309	41.4	127	71.0	38.1	58.5	119	138	56.5	129
EEN010038Z	38	30-32	170	21.4	355	49.3	137	81.0	41.4	70.5	132	151	62.5	155
EEN010042Z	* 40-42	33-35	188	24.9	390	54.0	146	82.5	44.5	76.2	140	165	70.0	171
EEN010048Z	* 44-48	36-40	268	37.2	445	55.5	171	95.5	51.0	79.5	162	191	76.2	198
EEN010054Z	* 50-54	42-45	309	59	505	62.0	194	111	57.2	95.5	187	216	82.5	224
EEN010060Z	* 56-60	46-48	360	76	546	70.0	216	127	66.8	105	210	229	92.0	248
EEN010067Z	* 64-67	50-54	424	114	597	79.5	241	140	74.5	114	235	248	102	270
EEN010070Z	* 70-73	56-62	549	143	645	79.5	273	159	79.5	124	259	279	124	286
EEN010076Z	* 75-80	64-67	656	172	689	85.6	292	171	86.0	133	292	305	133	298
EEN010081Z	* 82-86	70-73	750	197	743	102	311	184	92.0	146	311	330	146	311
EEN010087Z	* 88-92	76-80	820	255	787	102	330	197	98.5	160	330	356	159	330
EEN010094Z	* 94 - 102	-	1005	355	845	108	362	216	108	184	362	381	178	356

* Fusione di acciaio legato - * Cast alloy steel

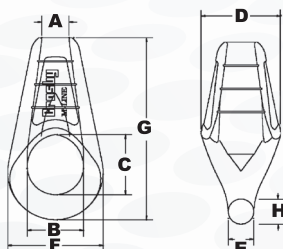


Temperatura di utilizzo: - 20 °C + 200 °C
 Finitura: zincato a caldo
 Efficienza terminale: 100 % MBL fune

Temperature range: - 20 °C + 200 °C
 Finish: hot dip galvanized
 Terminations efficiency: 100 % MBL Rope

G-517 capocorda a testa fusa chiuso tipo corto — G-517 mooring spelter sockets

Codice Code	Diametro fune Wire Rope dia.		Carico di rottura Breaking load	Peso Weight	Dimensioni Dimensions							
	mm	inch			A mm	B mm	C mm	D mm	E mm	F mm	G mm	H mm
EEN050035Z	32-35	1-1/4 - 1-3/8	113	7.7	41.4	78.5	92.2	113	36.6	130	277	38.9
EEN050041Z	38-41	1-1/2 - 1-5/8	136	13.6	49.5	93.7	110	138	40.6	160	330	46.0
EEN050048Z	44-48	1-3/4 - 1-7/8	181	19.5	56.6	106	115	160	46.7	183	358	53.1
EEN050054Z	50-54	2 - 2-1/8	227	25.9	63.5	121	134	178	53.1	210	407	56.9
EEN050060Z	57-60	2-1/4 - 2-3/8	277	34.5	70.6	133	146	196	58.7	233	455	66.6
EEN050067Z	64-67	2-1/2 - 2-5/8	363	48.1	77.5	149	170	217	68.3	257	505	67.6
EEN050073Z	70-73	2-3/4 - 2-7/8	454	62.6	84.6	165	181	237	76.2	282	549	63.0
EEN050077Z	76-79	3 - 3-1/8	544	87.5	89.9	184	197	262	82.6	313	597	82.3
EEN050086Z	82-86	3-1/4 - 3-3/8	635	104	96.8	194	224	278	88.9	334	654	87.1
EEN050092Z	88-92	3-1/2 - 3-5/8	735	127	105	203	230	298	93.7	355	703	105
EEN050102Z	95-102	3-3/4 - 4	907	174	112	222	267	328	93.7	403	765	113

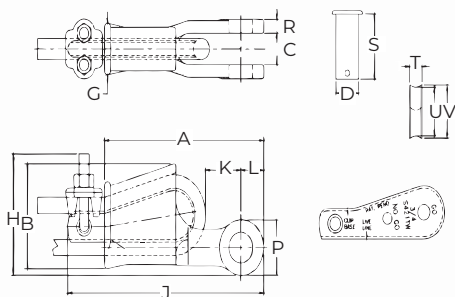


Temperatura di utilizzo: - 20 °C + 200 °C
 Finitura: zincato a caldo
 Efficienza terminale: 100 % MBL fune

Temperature range: - 20 °C + 200 °C
 Finish: hot dip galvanized
 Terminations efficiency: 100 % MBL Rope

S-421T capocorda a cuneo autobloccante — S-421T wedge sockets

Codice Code	Diametro fune Rope dia.		Carico di rottura Breaking load	Dimensioni Dimensions																
	no.	mm		inch	t	A mm	B mm	C +/- mm	D mm	G mm	H mm	J mm	K mm	L mm	P mm	R mm	S mm	T mm	U mm	V mm
EEN040010T	9-10	3/8	12	145	69.1	20.6	20.6	35.1	77.7	198	47.8	22.4	39.6	11.2	54.1	11.2	31.8	35.1		
EEN040013T	11-13	1/2	20	175	88.1	25.4	25.4	41.1	95.5	226	32.0	26.9	49.3	12.7	65.0	13.5	44.5	47.8		
EEN040016T	14-16	5/8	25	210	109	31.8	30.2	53.8	114	273	50.5	31.0	57.2	14.2	82.6	17.5	51.0	55.5		
EEN040019T	18-19	3/4	40	251	130	38.1	35.1	62.0	134	314	61.2	35.6	66.8	16.8	92.2	19.8	59.5	65.0		
EEN040022T	20-22	7/8	55	286	149	44.5	41.4	68.5	156	365	63.0	42.4	79.5	19.1	109	22.4	68.5	74.5		
EEN040025T	24-26	1	75	325	161	51.0	51.0	74.7	177	414	77.2	51.0	95.5	22.4	119	26.2	73.0	83.5		
EEN040028T	28	1-1/8	90	365	176	57.0	57.0	84.0	194	466	65.0	57.0	108	25.4	138	27.9	82.6	90.5		
EEN040032T	30-32	1-1/4	110	415	222	66.5	63.5	90.5	239	520	74.7	59.5	114	26.9	156	30.2	117	125		

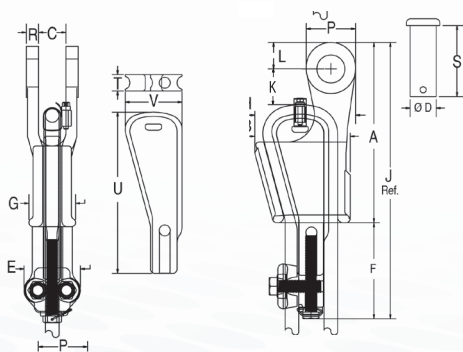


Temperatura di utilizzo: - 20 °C + 200 °C
 Finitura: verniciato rosso
 Efficienza terminale: 80% MBL fune

Temperature range: - 20 °C + 200 °C
 Finish: red painted
 Terminations efficiency: 80% MBL rope

S-423T capocorda a cuneo autobloccante super terminator — S-423T wedge sockets

Codice Code	Diametro fune Rope dia.		Carico di rottura Breaking load	Dimensioni Dimensions																		
	no.	mm		inch	t	A mm	B mm	C mm	D mm	E mm	F mm	G mm	H mm	J mm	K mm	L mm	P mm	R mm	S mm	T mm	U mm	V mm
EENS423T16	14-16	5/8	25	210	114	31.8	30.2	76.2	103	54.1	117	313	28.0	31.0	57.2	14.2	82.6	19.1	175	66.0		
EENS423T19	18-19	3/4	40	251	132	38.1	35.1	82.6	122	62.0	136	373	38.0	35.6	66.5	16.8	92.2	22.4	194	76.7		
EENS423T22	20-22	7/8	55	286	149	44.5	41.4	96.8	146	68.3	156	431	40.5	42.4	79.5	19.1	109	25.4	241	88.1		
EENS423T26	24-26	1	75	325	167	50.8	50.8	96.8	146	74.7	179	471	36.5	51.1	95.3	22.4	119	28.7	264	97.0		
EENS423T28	28	1-1/8	90	365	176	57.2	57.2	102	174	85.9	198	539	28.5	57.4	108	25.4	138	31.8	300	107		
EENS423T32	30-32	1-1/4	110	415	219	66.5	63.5	114	197	90.7	238	612	38.0	59.4	114	26.9	168	35.1	352	148		

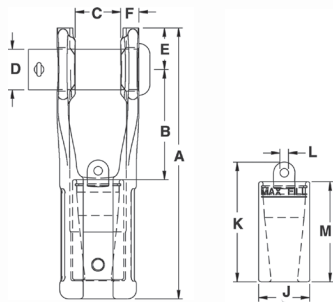


Temperatura di utilizzo: - 20 °C + 200 °C
 Finitura: verniciato rosso, cuneo e accessori zincati
 Efficienza terminale: 80% MBL fune

Temperature range: - 20 °C + 200 °C
 Finish: body Red painted, wedge and accessories zinc finish
 Terminations efficiency: 80% MBL rope

SB-427 capocorda ad attacco rapido con perno — SB-427 button spelter sockets

Codice Code	Diametro fune Rope dia.		Carico di rottura Breaking load	Peso Weight	Dimensioni Dimensions									
	no.	mm			inch	t	Kg/pc.	A mm	B mm	C mm	D mm	E mm	F mm	J mm
EEN060016S	13-16	1/2 - 5/8	27	2.76	202	82	33	30	31	14	38	89	6	74
EEN060019S	16-19	5/8 - 3/4	45	4.67	240	99	39	35	37	17	44	109	10	87
EEN060022S	19-22	3/4 - 7/8	57	7.75	275	112	45	41	43	19	52	121	10	101
EEN060026S	22-26	7/8 - 1	82	13.24	327	139	52	51	51	23	62	143	16	115
EEN060032S	28-32	1-1/8 - 1-1/4	136	20.86	378	144	64	57	64	28	75	180	19	145
EEN060038S	35-38	1-3/8 - 1-1/2	161	35.38	459	182	77	70	70	31	92	205	19	172

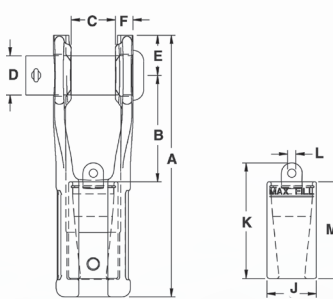


Temperatura di utilizzo: - 20 °C + 200 °C
 Finitura: verniciato rosso
 Efficienza terminale: 100 % MBL fune

Temperature range: - 20 °C + 200 °C
 Finish: red painted
 Terminations efficiency: 100 % MBL Rope

SB-427TB capocorda ad attacco rapido con perno, dado e coppiglia — SB-427TB (bolt, nut and cotter pin)

Codice Code	Diametro fune Rope dia.		Carico di rottura Breaking load	Peso Weight	Dimensioni Dimensions									
	no.	mm			inch	t	Kg/pc.	A mm	B mm	C mm	D mm	E mm	F mm	J mm
EEN061016S	13-16	1/2 - 5/8	27	2.76	202	82	33	30	31	14	38	89	6	74
EEN061019S	16-19	5/8 - 3/4	45	4.67	240	99	39	35	37	17	44	109	10	87
EEN061022S	19-22	3/4 - 7/8	57	7.75	275	112	45	41	43	19	52	121	10	101
EEN061026S	22-26	7/8 - 1	82	13.24	327	139	52	51	51	23	62	143	16	115
EEN061032S	28-32	1-1/8 - 1-1/4	136	20.86	378	144	64	57	64	28	75	180	19	145
EEN061038S	35-38	1-3/8 - 1-1/2	161	35.38	459	182	77	70	70	31	92	205	19	172

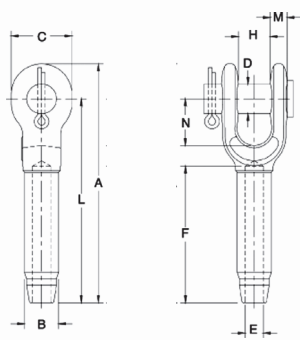


Temperatura di utilizzo: - 20 °C + 200 °C
 Finitura: verniciato rosso
 Efficienza terminale: 100 % MBL fune

Temperature range: - 20 °C + 200 °C
 Finish: red painted
 Terminations efficiency: 100 % MBL Rope

S-501 terminale a pressare a forcella — S-501 open swage sockets

Codice Code	Diametro fune Rope dia.		Carico di rottura Breaking load	Peso Weight	Dimensioni Dimensions											Dimensioni massime dopo la pressatura Max. after swage dim.
	no.	mm			inch	t	Kg/pc.	A mm	B mm	C mm	D mm	E mm	F mm	H mm	L mm	
EEN020006S	6	1/4	5.4	.24	122	12.7	35.1	17.5	6.85	54.0	17.5	102	9.65	38.1	11.7	
EEN020008S	8	5/16	11.8	.51	159	19.6	41.1	20.6	8.65	81.0	20.6	135	11.9	44.5	18.0	
EEN020010S	9-10	3/8	13.6	.59	159	19.6	41.1	20.6	10.4	81.0	20.6	135	11.9	44.5	18.0	
EEN020011S	11-12	7/16	18.1	.94	198	24.9	51.0	25.4	12.2	108	25.4	170	14.2	51.0	23.1	
EEN020013S	13	1/2	21.3	.94	198	24.9	51.0	25.4	14.0	108	25.4	170	14.2	51.0	23.1	
EEN020014S	14	9/16	31.8	2.12	241	31.8	60.5	30.2	15.5	135	31.8	207	17.3	57.0	29.5	
EEN020016S	16	5/8	34.9	2.05	241	31.8	60.5	30.2	17.0	135	31.8	207	17.3	57.0	29.5	
EEN020019S	18-20	3/4	43.5	3.62	294	39.4	70.0	35.1	20.3	162	38.1	254	20.3	70.0	36.1	
EEN020022S	22	7/8	51.5	5.23	341	43.2	79.5	41.1	23.9	189	44.5	295	23.9	82.5	39.4	
EEN020026S	24-26	1	71.4	8.07	393	50.5	93.5	51.0	26.9	216	51.0	340	26.9	95.5	45.7	
EEN020028S	28	1-1/8	83.3	11.5	440	57.0	105	57.0	30.2	245	57.0	381	30.2	108	52.0	
EEN020032S	32	1-1/4	109	16.1	484	64.5	117	63.5	33.8	272	63.5	419	31.0	119	58.5	
EEN020035S	34-36	1-3/8	136	19.8	532	71.0	127	63.5	36.8	297	63.5	461	35.1	133	65.0	
EEN020038S	38-40	1-1/2	181	26.5	589	78.0	140	70.0	40.1	325	76.0	502	43.2	145	71.5	
EEN020044S	44	1-3/4	228	40.3	676	86.0	170	89.0	47.2	378	89.0	584	53.6	171	77.5	
EEN020048S	48-52	2	272	66	799	100	203	95.5	53.5	432	102	683	60.0	203	90.5	



Temperatura di utilizzo: - 20 °C + 200 °C

Finitura: nera

Efficienza terminale: 90% MBL fune

Temperature range: - 20 °C + 200 °C

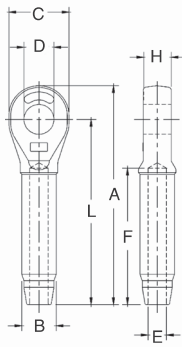
Finish: black

Terminations efficiency: 90% MBL rope



S-502 terminale a pressare ad occhio — S-502 closed swage sockets

Codice Code	Diametro fune Rope dia.		Carico di rottura Breaking load	Peso Weight	Dimensioni Dimensions								Dimensioni massime dopo la pressatura Max. After Swage Dim.
	no.	mm			inch	t	Kg/pc.	A mm	B mm	C mm	D mm	E mm	
EEN030006S	6	1/4	5.4	.15	109	12.7	35.1	19.1	6.85	54.0	12.7	89.0	11.7
EEN030008S	8	5/16	11.8	.34	138	19.6	41.1	22.4	8.65	81.0	17.0	114	18.0
EEN030010S	9-10	3/8	13.6	.33	138	19.6	41.1	22.4	10.4	81.0	17.0	114	18.0
EEN030011S	11-12	7/16	18.1	.64	176	24.9	51.0	26.9	12.2	108	21.8	146	23.1
EEN030013S	13	1/2	21.3	.64	176	24.9	51.0	26.9	14.0	108	21.8	146	23.1
EEN030014S	14	9/16	31.8	1.32	220	31.8	60.5	31.8	15.5	135	28.7	184	29.5
EEN030016S	16	5/8	34.9	1.29	220	31.8	60.5	32.5	17.0	135	28.7	184	29.5
EEN030019S	18-20	3/4	43.5	2.27	261	39.4	73.0	36.6	20.3	162	33.3	219	36.1
EEN030022S	22	7/8	51.5	3.08	303	43.2	79.0	42.9	23.9	189	38.1	257	39.4
EEN030026S	24-26	1	71.4	4.72	344	50.5	92.0	52.5	26.9	216	44.5	292	45.7
EEN030028S	28	1-1/8	83.3	6.72	382	57.0	102	58.5	30.2	243	51.0	324	52.0
EEN030032S	32	1-1/4	109	9.78	430	64.5	114	65.0	33.8	270	57.0	365	58.5
EEN030034S	34-36	1-3/8	136	12.9	473	71.0	127	65.0	36.8	297	57.0	400	65.0
EEN030038S	38-40	1-1/2	181	17.3	511	78.0	137	71.5	40.1	325	65.0	432	71.5
EEN030044S	44	1-3/4	228	23.1	598	86.0	159	90.5	47.2	378	76.0	508	77.5
EEN030048S	48-52	2	272	40.5	702	100	184	96.5	53.5	432	82.5	584	90.5



Temperatura di utilizzo: - 20 °C + 200 °C

Finitura: nera

Efficienza terminale: 90% MBL fune

Temperature range: - 20 °C + 200 °C

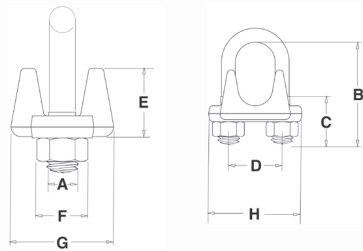
Finish: black

Terminations efficiency: 90% MBL rope



G-450 morsetto a cavalletto — G-450 crosby clips

Codice Code	Diametro fune Rope dia.		Peso Weight	Dimensioni Dimensions							
	no.	mm		inch	Kg/100 pcs	A mm	B mm	C mm	D mm	E mm	F mm
EEG010003G	3-4	1/8	2.72	5.60	18.3	11.2	11.9	10.4	9.65	20.6	23.9
EEG010005G	5	3/16	4.54	6.35	24.6	14.2	15.0	12.7	11.2	23.9	29.5
EEG010007G	6-7	1/4	8.62	7.85	26.2	12.7	19.1	16.8	14.2	30.2	36.6
EEG010008G	8	5/16	12.7	9.65	35.1	19.1	22.4	18.3	17.5	33.3	42.9
EEG010010G	9-10	3/8	21.8	11.2	38.1	19.1	25.4	23.1	19.1	41.4	49.3
EEG010013G	11-13	7/16 - 1/2	80	.50	1.88	1.00	1.19	1.13	.88	1.91	2.28
EEG010016G	14-16	9/16 - 5/8	110	.56	2.25	1.25	1.31	1.34	.94	2.06	2.50
EEG010019G	18-20	3/4	64	15.7	70.0	36.6	38.1	35.8	26.9	57.0	72.0
EEG010022G	22	7/8	96	19.1	79.0	41.1	44.5	40.4	31.8	62.0	80.5
EEG010026G	24-26	1	114	19.1	89.0	46.0	47.8	45.2	31.8	67.0	88.0
EEG010028G	28-30	1-1/8	128	19.1	98.5	51.0	51.0	48.5	31.8	71.5	91.0
EEG010032G	32-34	1-1/4	199	22.4	108	54.0	59.4	55.5	36.6	79.5	105
EEG010035G	36	1-3/8	200	22.4	118	58.5	59.4	58.5	36.6	79.5	106
EEG010038G	38	1-1/2	247	22.4	125	60.5	66.5	62.0	36.6	86.5	113
EEG010042G	41-42	1-5/8	319	25.4	135	66.5	70.0	67.5	41.4	92.0	121
EEG010044G	44-46	1-3/4	424	28.7	146	70.0	77.5	74.5	46.0	97.0	134
EEG010052G	48-52	2	590	31.8	164	76.0	86.0	77.0	51.0	113	149
EEG010058G	56-58	2-1/4	726	31.8	181	81.0	98.5	81.0	51.0	114	162
EEG010065G	62-65	2-1/2	862	31.8	195	87.5	105	93.5	51.0	119	168
EEG010070G	68-72	2-3/4	1043	31.8	211	90.5	111	124	51.0	127	175
EEG010076G	75-78	3	1406	38.1	233	98.5	121	119	60.5	149	194
EEG010088G	85-90	3-1/2	1814	38.1	273	114	140	152	60.5	157	213



Temperatura di utilizzo: - 20 °C + 200 °C

Finitura: zincati

Efficienza terminale: 80% MBL fune da mm. 3 a mm. 22 e 90% da mm. 24 a mm. 90

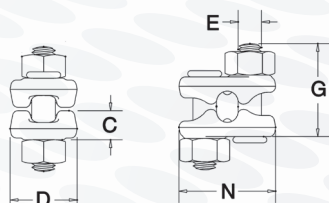
Temperature range: - 20 °C + 200 °C

Finish: galvanized

Terminations efficiency: 80% MBL rope from mm. 3 to mm. 22 and 90% from mm. 24 to mm. 90

G-429 morsetto a cavalletto "first grip" — G-429 fist grip clips

Codice Code	Diametro fune Rope dia.		Peso Weight	Dimensioni Dimensions				
	no.	mm		inch	Kg/100 pcs	C mm	D mm	E mm
EEG00007G	5-7	3/16 - 1/4	10.4	10.2	23.9	9.65	32.5	36.6
EEG00008G	8	5/16	12.7	11.9	26.9	9.65	37.3	39.1
EEG00010G	10	3/8	18.1	13.0	26.9	11.2	46.0	45.2
EEG00013G	11-13	7/16 - 1/2	28.1	15.0	31.8	12.7	55.5	54.6
EEG00016G	14-16	9/16 - 5/8	46.7	18.3	38.1	16.0	68.5	65.3
EEG00019G	18-20	3/4	79	21.8	46.0	19.1	74.5	67.8
EEG00022G	22	7/8	102	24.6	53.8	19.1	84.0	72.6
EEG00026G	24-26	1	136	28.7	57.0	19.1	94.5	77.7
EEG00028G	28-30	1-1/8	181	32.5	60.5	22.4	107	87.4
EEG00032G	32-34	1-1/4	181	34.0	63.5	22.4	108	90.4
EEG00036G	36-40	1-3/8 - 1-1/2	318	39.6	76.0	25.4	141	105



Temperatura di utilizzo: - 20 °C + 200 °C

Finitura: zincati

Efficienza terminale: 80% MBL fune da mm. 5 a mm. 22 e 90% da mm. 24 a mm. 40

Temperature range: - 20 °C + 200 °C

Finish: galvanized

Terminations efficiency: 80% MBL rope from mm. 5 to mm. 22 and 90% from mm. 24 to mm. 40



HG-226 tenditori occhio/occhio — HG-226 eye & eye

Codice Code	Diametro filetto e corsa Thread diameter & take up		Portata WLL	Peso Weight	Dimensioni / Dimensions								
	no.	inc			mm	t	Kg/pc.	A	J APERTO OPEN	K CHIUSO CLOSED	R	S	X CHIUSO CLOSED
						mm	mm	mm	mm	mm	mm	mm	mm
EEM020604G	1/4 x 4	6.35 x 102	.23	.13	6.35	303	202	20.6	8.64	44.6	103		
EEM020804G	5/16 x 4-1/2	7.94 x 114	.36	.22	7.94	354	239	24.1	11.2	55.8	116		
EEM021006G	3/8 x 6	9.53 x 152	.54	.34	9.53	446	294	28.7	13.5	62.9	155		
EEM021306G	1/2 x 6	12.7 x 152	1.00	.78	12.7	506	354	35.8	18.0	90.4	153		
EEM021312G	1/2 x 12	12.7 x 305	1.00	1.19	12.7	819	514	35.8	18.0	89.9	314		
EEM021606G	5/8 x 6	15.9 x 152	1.59	1.25	15.9	552	399	45.7	22.4	110	153		
EEM021612G	5/8 x 12	15.9 x 305	1.59	1.87	15.9	865	560	45.7	22.4	110	315		
EEM021906G	3/4 x 6	19.1 x 152	2.36	1.91	19.1	590	438	53.1	25.4	130	156		
EEM021912G	3/4 x 12	19.1 x 305	2.36	2.78	19.1	905	600	53.1	25.4	129	320		
EEM021918G	3/4 x 18	19.1 x 457	2.36	3.55	19.1	1.210	753	53.1	25.4	130	471		
EEM022212G	7/8 x 12	22.2 x 305	3.27	4.01	22.2	932	627	60.5	31.8	147	309		
EEM022218G	7/8 x 18	22.2 x 457	3.27	5.22	22.2	1.249	792	60.5	31.8	147	473		
EEM022606G	1 x 6	25.4 x 152	4.54	4.36	25.4	666	514	76.2	36.3	165	157		
EEM022612G	1 x 12	25.4 x 305	4.54	5.88	25.4	971	666	76.2	36.3	165	309		
EEM022618G	1 x 18	25.4 x 457	4.54	7.40	25.4	1.276	819	76.2	36.3	165	462		
EEM022624G	1 x 24	25.4 x 610	4.54	9.14	25.4	1.596	987	76.2	36.3	164	631		
EEM023212G	1-1/4 x 12	31.8 x 305	6.89	9.01	31.8	1.070	766	91.2	46.2	216	306		
EEM023218G	1-1/4 x 18	31.8 x 457	6.89	10.8	31.8	1.375	918	91.2	46.2	216	459		
EEM023224G	1-1/4 x 24	31.8 x 610	6.89	12.6	31.8	1.694	1.085	91.2	46.2	216	625		
EEM023812G	1-1/2 x 12	38.1 x 305	9.71	13.0	38.1	1.124	819	104	53.8	240	313		
EEM023818G	1-1/2 x 18	38.1 x 457	9.71	15.4	38.1	1.428	971	104	53.8	240	465		
EEM023824G	1-1/2 x 24	38.1 x 610	9.71	17.9	38.1	1.749	1.139	104	53.8	240	633		
EEM024418G	1-3/4 x 18	44.5 x 457	12.7	23.0	44.5	1.457	1.000	118	60.5	253	467		
EEM024424G	1-3/4 x 24	44.5 x 610	12.7	26.4	44.5	1.762	1.153	118	60.5	253	619		
EEM025124G	2 x 24	51.0 x 610	16.8	37.9	50.8	1.922	1.313	148	68.3	331	622		
EEM026324G	2-1/2 x 24	63.5 x 610	27.2	67.4	63.5	2.011	1.402	165	79.2	350	625		
EEM027024G	2-3/4 x 24	70.0 x 610	34.0	79.1	69.9	2.066	1.456	178	82.6	383	626		



Temperatura di utilizzo: - 20 °C + 200 °C

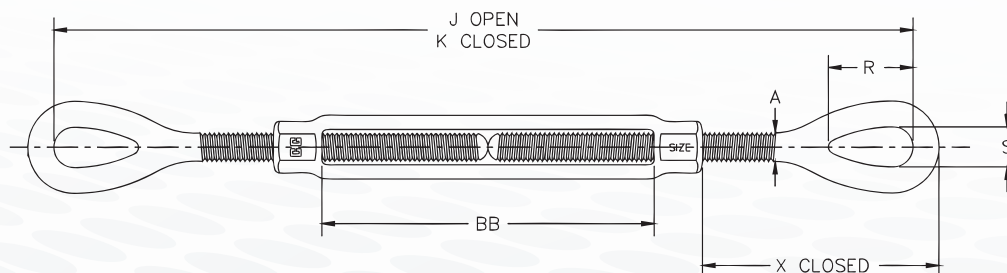
Finitura: zincati a caldo

Coefficiente di sicurezza: 5

Temperature range: - 20 °C + 200 °C

Finish: hot dip galvanized

Safety factor: 5



HG-227 tenditori forcella/occhio — HG-227 jaw & eye

Codice Code	Diametro filetto e corsa Thread diameter & take up		Portata WLL	Peso Weight	Dimensioni / Dimensions										
	no.	inc			mm	t	Kg/pc.	A	B	E CHIUSO CLOSED	G	J APERTO OPEN	K CHIUSO CLOSED	R	S
EEM030604G	1/4 x 4	6.35 x 102	.23	.15	6.35	11.4	42.0	16.1	294	192	20.6	8.64	44.6	103	6.35
EEM030804G	5/16 x 4-1/2	7.94 x 114	.36	.24	7.94	12.7	51.2	22.0	343	228	24.1	11.2	55.8	116	6.35
EEM031006G	3/8 x 6	9.53 x 152	.54	.36	9.53	13.5	53.5	21.5	429	277	28.7	13.5	62.9	155	7.87
EEM031206G	1/2 x 6	12.7 x 152	1.00	.80	12.7	16.3	81.8	27.1	490	338	35.8	18.0	90.4	153	9.40
EEM031209G	1/2 x 9	12.7 x 229	1.00	1.02	12.7	16.3	81.3	27.1	650	421	35.8	18.0	89.9	238	9.40
EEM031212G	1/2 x 12	12.7 x 305	1.00	1.21	12.7	16.3	81.3	27.1	802	497	35.8	18.0	89.9	314	9.40
EEM031606G	5/8 x 6	15.9 x 152	1.59	1.35	15.9	20.1	99.1	33.5	527	374	45.7	22.4	110	153	12.7
EEM031609G	5/8 x 9	15.9 x 229	1.59	1.69	15.9	20.1	98.8	33.5	688	459	45.7	22.4	110	239	12.7
EEM031612G	5/8 x 12	15.9 x 305	1.59	1.97	15.9	20.1	98.8	33.5	840	535	45.7	22.4	110	315	12.7
EEM031906G	3/4 x 6	19.1 x 152	2.36	2.05	19.1	24.6	120	38.5	563	411	53.1	25.4	130	156	16.0
EEM031909G	3/4 x 9	19.1 x 229	2.36	2.52	19.1	24.6	119	38.5	726	497	53.1	25.4	129	244	16.0
EEM031912G	3/4 x 12	19.1 x 305	2.36	2.91	19.1	24.6	119	38.5	878	573	53.1	25.4	129	320	16.0
EEM031918G	3/4 x 18	19.1 x 457	2.36	3.69	19.1	24.6	120	38.5	1.183	726	53.1	25.4	130	471	16.0
EEM032212G	7/8 x 12	22.2 x 305	3.27	4.13	22.2	29.5	140	44.8	906	601	60.5	31.8	147	309	19.1
EEM032218G	7/8 x 18	22.2 x 457	3.27	5.28	22.2	29.5	140	44.8	1.223	766	60.5	31.8	147	473	19.1
EEM032606G	1 x 6	25.4 x 152	4.54	4.55	25.4	34.0	155	52.1	636	483	76.2	36.3	165	157	22.4
EEM032612G	1 x 12	25.4 x 305	4.54	6.06	25.4	34.0	155	52.1	941	636	76.2	36.3	165	309	22.4
EEM032618G	1 x 18	25.4 x 457	4.54	7.58	25.4	34.0	155	52.1	1.245	788	76.2	36.3	165	462	22.4
EEM032624G	1 x 24	25.4 x 610	4.54	9.33	25.4	34.0	154	52.1	1.565	956	76.2	36.3	164	631	22.4
EEM033212G	1-1/4 x 12	31.8 x 305	6.89	9.48	31.8	46.7	205	71.5	1.035	730	91.2	46.2	216	306	28.7
EEM033218G	1-1/4 x 18	31.8 x 457	6.89	11.3	31.8	46.7	205	71.5	1.340	883	91.2	46.2	216	459	28.7
EEM033224G	1-1/4 x 24	31.8 x 610	6.89	13.1	31.8	46.7	205	71.5	1.659	1.050	91.2	46.2	216	625	28.7
EEM033812G	1-1/2 x 12	38.1 x 305	9.71	13.9	38.1	52.3	227	71.4	1.080	775	104	53.8	240	313	35.1
EEM033818G	1-1/2 x 18	38.1 x 457	9.71	16.3	38.1	52.3	227	71.4	1.384	927	104	53.8	240	465	35.1
EEM033824G	1-1/2 x 24	38.1 x 610	9.71	18.8	38.1	52.3	227	71.4	1.705	1.095	104	53.8	240	633	35.1
EEM034418G	1-3/4 x 18	44.5 x 457	12.7	23.6	44.5	66.0	238	85.0	1.406	949	118	60.5	253	467	41.4
EEM034424G	1-3/4 x 24	44.5 x 610	12.7	27.1	44.5	66.0	238	85.0	1.711	1.101	118	60.5	253	619	41.4
EEM035124G	2 x 24	51.0 x 610	16.8	40.8	50.8	66.5	300	95.0	1.846	1.236	148	68.3	331	622	50.8
EEM036324G	2-1/2 x 24	63.5 x 610	27.2	71.7	63.5	77.7	337	113	1.932	1.323	165	79.2	350	625	57.2
EEM037024G	2-3/4 x 24	70.0 x 610	34.0	84.6	69.9	93.7	379	106	1.982	1.373	178	82.6	383	626	69.9



Temperatura di utilizzo: - 20 °C + 200 °C

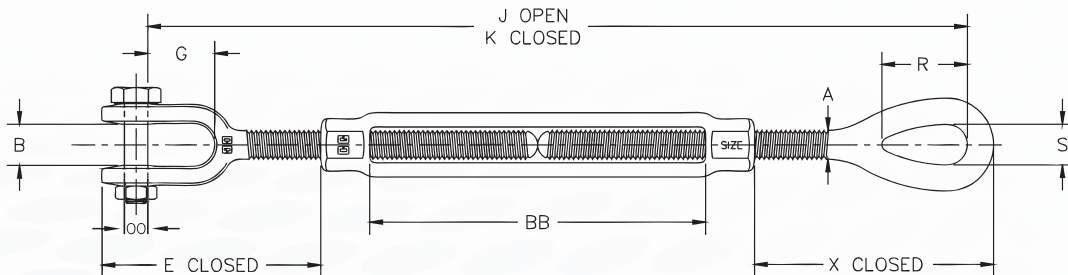
Finitura: zincati a caldo

Coefficiente di sicurezza: 5

Temperature range: - 20 °C + 200 °C

Finish: hot dip galvanized

Safety factor: 5



HG-228 tenditori forcella/forcella — HG-228 jaw & jaw

Codice Code	Diametro filetto e corsa Thread diameter & take up		Portata WLL	Peso Weight	Dimensioni / Dimensions									
	no.	inc			mm	t	Kg/pc.	A	B	E CHIUSO CLOSED	G	J APERTO OPEN	K CHIUSO CLOSED	BB
						mm	mm	mm	mm	mm	mm	mm	mm	mm
EEM041004G	1/4 x 4	6.35 x 102	.23	.17		6.35	11.4	42.0	16.1	284	183	103	6.35	
EEM041005G	5/16 x 4-1/2	7.94 x 114	.36	.25		7.94	12.7	51.2	22.0	332	218	116	6.35	
EEM041006G	3/8 x 6	9.53 x 152	.54	.39		9.53	13.5	53.5	21.5	413	260	155	7.87	
EEM041306G	1/2 x 6	12.7 x 152	1.00	.83		12.7	16.3	81.8	27.1	474	321	153	9.40	
EEM041309G	1/2 x 9	12.7 x 305	1.00	1.04		12.7	16.3	81.3	27.1	633	405	238	9.40	
EEM041312G	1/2 x 12	15.9 x 152	1.00	1.23		12.7	16.3	81.3	27.1	786	481	314	9.40	
EEM041606G	5/8 x 6	15.9 x 305	1.59	1.46		15.9	20.1	99.1	33.5	501	349	153	12.7	
EEM041609G	5/8 x 9	19.1 x 152	1.59	1.79		15.9	20.1	98.8	33.5	662	434	239	12.7	
EEM041612G	5/8 x 12	19.1 x 305	1.59	2.08		15.9	20.1	98.8	33.5	815	510	315	12.7	
EEM041906G	3/4 x 6	19.1 x 457	2.36	2.18		19.1	24.6	120	38.5	536	383	156	16.0	
EEM041909G	3/4 x 9	22.2 x 305	2.36	2.65		19.1	24.6	119	38.5	698	470	244	16.0	
EEM041912G	3/4 x 12	22.2 x 457	2.36	3.05		19.1	24.6	119	38.5	851	546	320	16.0	
EEM041918G	3/4 x 18	25.4 x 152	2.36	3.83		19.1	24.6	120	38.5	1.155	698	471	16.0	
EEM042212G	7/8 x 12	25.4 x 305	3.27	4.25		22.2	29.5	140	44.8	880	575	309	19.1	
EEM042218G	7/8 x 18	25.4 x 457	3.27	5.34		22.2	29.5	140	44.8	1.197	740	473	19.1	
EEM042606G	1 x 6	25.4 x 610	4.54	4.74		25.4	34.0	155	52.1	605	453	157	22.4	
EEM042612G	1 x 12	31.8 x 305	4.54	6.25		25.4	34.0	155	52.1	910	605	309	22.4	
EEM042618G	1 x 18	31.8 x 457	4.54	7.77		25.4	34.0	155	52.1	1.215	757	462	22.4	
EEM042624G	1 x 24	31.8 x 610	4.54	9.51		25.4	34.0	154	52.1	1.535	925	631	22.4	
EEM043212G	1-1/4 x 12	38.1 x 305	6.89	9.94		31.8	46.7	205	71.5	1.000	695	306	28.7	
EEM043218G	1-1/4 x 18	38.1 x 457	6.89	11.7		31.8	46.7	205	71.5	1.305	848	459	28.7	
EEM043224G	1-1/4 x 24	38.1 x 610	6.89	13.5		31.8	46.7	205	71.5	1.624	1.014	625	28.7	
EEM043812G	1-1/2 x 12	44.5 x 457	9.71	14.8		38.1	52.3	227	71.4	1.035	731	313	35.1	
EEM043818G	1-1/2 x 18	44.5 x 610	9.71	17.2		38.1	52.3	227	71.4	1.340	883	465	35.1	
EEM043824G	1-1/2 x 24	51.0 x 610	9.71	19.7		38.1	52.3	227	71.4	1.661	1.051	633	35.1	
EEM044418G	1-3/4 x 18	63.5 x 610	12.7	24.3		44.5	66.0	238	85.0	1.355	898	467	41.4	
EEM044424G	1-3/4 x 24	70.0 x 610	12.7	27.7		44.5	66.0	238	85.0	1.660	1.050	619	41.4	
EEM045224G	2 x 24	51.0x610	16.8	43.7		50.8	66.5	300	95.0	1.769	1.159	622	50.8	
EEM046424G	2-1/2 x 24	63.5x610	27.2	75.9		63.5	77.7	337	113	1.853	1.244	625	57.2	
EEM047024G	2-3/4 x 24	70.0x610	34.0	90.1		69.9	93.7	379	106	1.899	1.289	626	69.9	

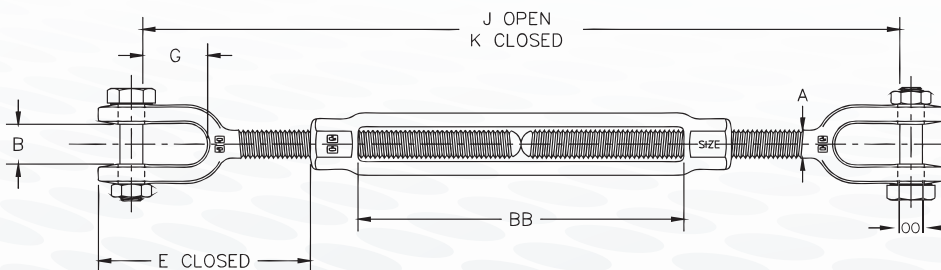
Temperatura di utilizzo: - 20 °C + 200 °C

Finitura: zincati a caldo

Coefficiente di sicurezza: 5

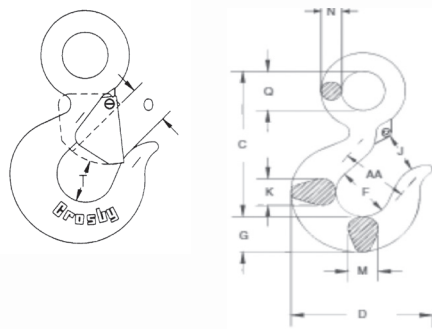
Temperature range: - 20 °C + 200 °C

Finish: hot dip galvanized

Safety factor: 5

Ganci Crosby ad occhio in acciaio al carbonio modello 320 C ed acciaio legato modello 320 A
 Crosby eye hooks in carbon steel model 320 C and alloy steel model 320 A

Codice Code	Portata / WLL Acciaio carbonio Carb. steel	Codice Code	Portata / WLL Acciaio legato All. steel	Ind. def. Ind. deform. AA	Peso Weight Kg/pc.	Dimensioni Dimensions										
						no.	t	no.	t	mm	C mm	D mm	F mm	G mm	J mm	K mm
EEA020075E	0.75	EEA020100D	1.25	38.1	0.28	85	72	31.8	18.5	22.9	16	16	9.14	19.1	22.1	22.6
EEA020100E	1.0	EEA020150E	1.6	50.8	0.40	97	79	35.1	21.3	23.6	18	18	10.7	23.1	24.9	23.1
EEA020150D	1.6	EEA020200D	2.5	50.8	0.65	105	89.5	38.1	25.4	25.4	22.4	22.4	14	28.7	26.2	25.4
EEA020200E	2.0	EEA020300F	3.2	50.8	0.94	119	101	41.4	28.7	28.7	23.9	23.8	14.7	31.8	29.5	27.7
EEA020300E	3.2	EEA020450F	5.4	63.5	1.95	147	122	51	36.6	37.3	33.3	33.3	18.3	39.6	38.9	34.5
EEA020500E	5.0	EEA020700D	8	76.2	3.76	187	159	63.5	46	44.5	42.2	42.2	22.9	51	49.8	40.9
EEA020750F	7.5	EEA021100D	11.5	102	6.80	230	189	72	57	58	47.8	41.4	28.2	62	62.5	53
EEA021000E	10	EEA021500D	16	102	9.42	256	211	82.5	66	63.5	55.5	49.3	32.3	72	66.5	57.5
EEA021500E	15	EEA022200D	22	127	17.90	318	262	108	76	84	68.5	60.5	39.6	89	72	76.5
EEA022000E	20	EEA023150D	31.5	165	27.20	357	346	127	92	102	76	76.2	44.5	89	87.5	82.5
EEA022500E	25	EEA023700D	37	178	47.60	462	357	137	116	108	95.2	81	51	114	98.5	76
EEA023000E	30	EEA024500D	45	203	67.00	511	392	152	129	121	114	82.6	55.4	125	121	86
EEA024000E	40	EEA026000D	60	254	103.00	602	470	178	152	146	140	99.3	64.3	145	145	105

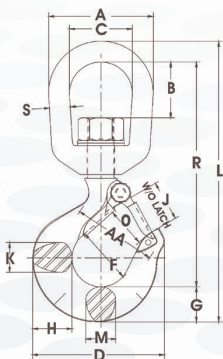


Il carico di prova è pari a 2 volte la portata.
Il coefficiente di sicurezza per i ganci 320 C è pari 5 volte la portata.
Il coefficiente di sicurezza per i ganci 320 A è pari a 4 volte la portata.

The proof-load is equal to 2 times the load capacity.
The safety factor for 320 C hooks is equal to 5 times the capacity.
The safety factor for 320 A hooks is equal to 4 times the capacity.

Ganci girevoli in acciaio al carbonio modello 322 C ed acciaio legato modello 322 A
 Swivel hooks in carbon steel model 322 C and alloy steel model 322 A

Codice Code	Portata / Capacity Acciaio carbonio Carb. steel	Codice Code	Portata / WLL Acciaio legato All. steel	Ind. def. ind. Deform. AA	Peso Weight Kg/pc.	Dimensioni Dimensions													
						no.	t	no.	t	mm	A mm	B mm	C mm	D mm	F mm	G mm	H mm	J mm	K mm
EEA030075E	0.75	EEA030100D	1.25	38.1	0.34	51	20.8	31.8	72.5	31.8	18.5	20.6	23.6	16	144	16	23.6	116	9.7
EEA030100E	1.0	EEA030150D	1.6	50.8	0.57	63.5	33.3	38.1	80	35.1	21.3	23.9	24.6	18	170	18	24.6	136	12.7
EEA030150E	1.6	EEA030200D	2.5	50.8	1.02	76	38.1	44.5	91	38.1	25.4	29.5	26.9	22.4	197	22.4	26.9	155	16
EEA030200E	2.0	EEA030300D	3.2	50.8	1.04	76	38.1	44.5	102	41.1	28.7	33.3	30.2	23.9	210	23.9	29.5	165	16
EEA030300E	3.2	EEA030540D	5.4	63.5	2.25	89	41.7	50.8	123	51	36.6	41.4	38.1	33.3	246	28.7	35.8	191	19.1
EEA030500E	5.0	EEA030701A	8	76.2	4.67	116	58	63.5	160	63.5	46	52.5	45.5	42.2	317	36.6	42.9	245	25.4
EEA030750E	7.5	EEA031150D	11.5	101	8.8	127	62	70	192	76	57	67	51	47.8	375	41.4	56.5	289	28.7
EEA031000E	10	EEA031600D	16	101	10.5	143	63	79	212	82.5	66	74.5	66.5	55.5	417	49.3	61	311	31.8
EEA031500E	15	EEA032201A	22	127	21.3	180	95.5	104	263	108	76	89	86.5	68.5	542	60.5	81	424	38.1
-	-	EEA033150D	31.5	165	32	180	95.5	104	346	127	93	118	102	72.5	590	76.2	82.6	459	38.1

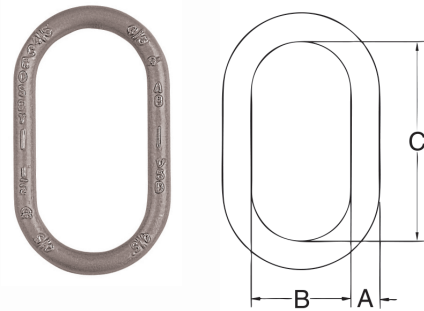


Il carico di prova è pari a 2 volte la portata.
Il coefficiente di sicurezza per i ganci 322 C è pari a 5 volte la portata.
Il coefficiente di sicurezza per i ganci 322 A è pari a 4 volte la portata.

The proof-load is equal to 2 times the load capacity.
The safety factor for 322 C hooks is equal to 5 times the capacity.
The safety factor for 322 A hooks is equal to 4 times the capacity.

A-342 Campanella acciaio legato, non saldata — A-342 Alloy Master Links

Codice Code	Dimensione Size		OC	Portata WLL	Carico di prova Proof load	Peso Weight	Dimensioni / Dimensions			Indicatore di deformazione Deformation indicator
	no.	inc					mm	A	B	
				t	kN	Kg/pc.	mm	mm	mm	mm
EEF000022W	1/2W	13W	No	3.40	77	0.59	13	71.1	127	89
EEF000030A	5/8	16	No	4.00	80	0.69	16	76.2	152	89
EEF000046W	3/4W	19W	No	5.60	126	0.91	19	81.3	152	102
EEF000068W	7/8W	22W	Yes	6.90	169	1.50	22	95.3	162	114
EEF000110W	1W	26W	Yes	11.8	289	2.77	26	109	191	140
EEF000160W	1 1/4W	32W	Yes	17.7	435	5.44	32	140	241	178
EEF000217W	1 1/2W	38W	Yes	27.7	680	8.44	38	150	267	191
EEF000385A	1 3/4	44	Yes	38.5	944	11.4	44	152	305	191
EEF000443A	2	51	Yes	46.5	1141	16.8	51	178	356	229
EEF000541A	2 1/4	57	No	64.9	1287	24.5	57	203	406	254
EEF000600A	2 1/2	63	No	72.6	1423	31.1	63	213	406	279
EEF000668A	2 3/4	70	No	98.4	1930	42.6	70	251	457	318
EEF001030A	3	76	No	103	2029	52.0	76	251	457	330
EEF001033A	3 1/4	83	No	119	2332	66.0	83	254	508	343
EEF001037A	3 1/2	89	No	126	2483	91.0	89	305	610	394
EEF001039A	3 3/4	95	No	152	2990	90.0	95	254	508	343
EEF001041A	4	102	No	169	3319	120	102	305	610	406



I valori nominali riportati di seguito si riferiscono all'uso con imbracature di catena fabbricate in conformità con ASME B30.9. Per altre applicazioni, chiedere.

Acciaio legato, non saldato, verniciato

Testato individualmente secondo i valori indicati, con certificazione.

Proof Test con dispositivi speciali dimensionati per prevenire il carico localizzato.

I fucinati hanno un codice di identificazione del prodotto (PIC) per la tracciabilità dei materiali, insieme alla dimensione, il nome Crosby e USA in caratteri in rilievo.

Le grandezze selezionate contrassegnate con "W" nella colonna della tabella sotto, hanno dimensioni interne ingrandite per consentire spazio aggiuntivo per l'imbracatura e il gancio della gru.

Le campanelle A-342 Crosby da 7/8" a 2" sono approvate DNVST-E271-2.7-1 Container offshore. Questi accessori Crosby sono testati al 100%, MPI e resilienza. I test sono condotti da Crosby e La certificazione 3.1 è disponibile su richiesta.

Incorpora gli indicatori di deformazione brevettati QUIC-CHECK®.

Fatica stimata a 20.000 cicli a 1 volta e 1/2 il limite del carico di lavoro.

Soddisfa o supera tutti i requisiti di ASME 830.26 inclusi identificazione, duttilità, design fattore, carico di prova e requisiti di temperatura.

Finitura: verniciate

Coefficiente di sicurezza: 5

Alloy steel — Quenched & Tempered.

Individually Proof Tested to values shown, with certification.

Proof Tested with special fixtures sized to prevent localized point loading.

Forgings have a Product Identification Code (PIC) for material traceability, along with the size, the name Crosby and USA in raised lettering.

Selected sizes designated with "W" in the size column have enlarged inside dimensions to allow additional room for sling hardware and crane hook.

Crosby 7/8" to 2" A-342 master links are type approved to DNVST-E271-2.7-1 Offshore Containers. These Crosby master links are 100% proof tested, MPI and impact tested. The tests are conducted by Crosby and 3.1 test certification is available upon request. Refer to the Crosby COLD

TUFF® master links that meet the additional requirements of DNV rules for certification of lifting appliances - Loose Gear.

Incorporates patented QUIC-CHECK® deformation indicators.

Fatigue rated to 20,000 cycles at 1-1/2 times the Working Load Limit.

Meets or exceeds all requirements of ASME 830.26 including identification, ductility, design factor, proof load and temperature requirements.

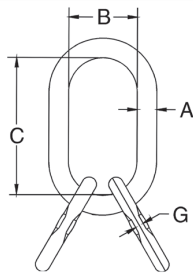
Importantly, these links meet other critical performance requirements including fatigue life, impact properties and material traceability, not addressed by ASME B30.26.

Finish: painted

Safety factor: 5

Campanella tripla acciaio legato, non saldata — A-345 Master Link Assembly with Engineered Flat

Codice Code	Dimensione Size		OC	Portata WLL	Peso Weight	Dimensioni / Dimensions							Indicatore di deformazione Deformation indicator
	no.	inc				mm	t	Kg/pc.	A	B	C	D	
EEF400031A	3/4W	19W	No	5.6	1.8	19	82	152	13	120	60	6.2	102
EEF400032A	7/8W	22W	Yes	6.9	3.2	22	95	162	17	170	80	8.5	114
EEF400042A	1W	26W	Yes	11.8	5.8	28	109	191	22	160	95	10.6	140
EEF400071A	1 1/4W	32W	Yes	17.7	12.1	34	140	241	28	240	130	-	178
EEF400070A	1 1/2W	38W	Yes	27.7	18.3	41	150	267	32	270	130	-	191
EEF400086A	1 3/4W	44	Yes	38.5	23.5	44	152	305	36	270	125	-	191
EEF400090A	2	51	Yes	46.5	33.5	51	178	356	40	270	140	-	229
EEF400089A	2 1/2	64	No	72.6	62.2	64	213	406	50	308	190	-	279
EEF400120A	2 3/4	70	No	98.4	84.5	70	251	457	55	355	200	-	318
EEF400170A	3 1/4	83	No	106.5	116	83	254	508	63	286	203	-	343
EEF400236A	4	102	No	169	303	102	306	610	89	610	305	-	394



Acciaio legato, non saldato, verniciato

Testato individualmente secondo i valori indicati, con certificazione.

Fattore di progettazione da 5 a 1.

Proof Test con dispositivi speciali dimensionati per prevenire il carico localizzato secondo EN1677.

Ogni campanella è contrassegnata con il codice di identificazione del prodotto (PIC) per la tracciabilità del materiale, Grado, CE, dimensione della catena e il "CG" (Gruppo Crosby). Ogni sublink è contrassegnato con il codice di tracciabilità.

Le campanelle A-347 sono omologate DNV Note 2.7-1- Container offshore. Questi accessori di Crosby sono testati al 100%. Ogni lotto è sottoposto a test di resilienza. I test sono condotti da Crosby ed è disponibile la certificazione del test 3.1 su richiesta. Schiacciatura per l'uso con la mezza maglia S-1325A.

Fatica stimata a 20.000 cicli a 1,5 volte il WLL.

Soddisfa o supera tutti i requisiti di ASME B30.26 incluso identificazione, duttilità, fattore di progetto, carico di prova e requisiti di temperatura

Finitura: verniciate

Coefficiente di sicurezza: 5

Alloy steel — Quenched & Tempered.

Individually Proof Tested to values shown, with certification.

Design Factor of 5 to 1

Proof Tested with 60% inside width special fixtures sized to prevent localized point loading per ASME A-952.

Each main link is marked with Product Identification Code (PIC) for material traceability, Grade, CE, chain size and the "CG" (Crosby Group). Each sublink is marked with traceability code.

22mm - 51mm A-345 master links are type approved to DNV Certification Notes 2.7-1- Offshore Containers. These Crosby master links are 100% proof tested, MPI and impact tested. The tests are conducted by Crosby and 3.1 test certification is available upon request.

Engineered Flat for use with S-1325A coupler link.

Fatigue rated to 20,000 cycles at 1-1/2 times the Working Load Limit.

Meets or exceeds all requirements of ASME B30.26 including identification, ductility, design factor, proof load and temperature requirements.

Importantly, these links meet other critical performance requirements including fatigue life, impact properties and material traceability, not addressed by ASME B30.26.

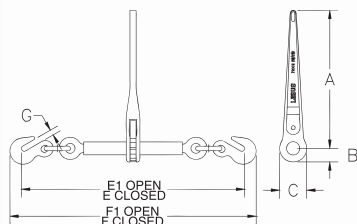
Finish: painted

Safety factor: 5

L-140 Tendicatena a cricchetto standard — L-140 Standard ratchet type load binders

Codice Code	Dimensione catena min-max Min-Max chain size	Portata* WLL*	Carico di prova Proof load	Peso Weight	Lunghezza braccio Handle length	Lunghezza barra Barrel length	Dispositivo di tensione Take up	Dimensioni Dimensions								
								A mm	B mm	C mm	E mm	E1 mm	F mm	F1 mm	G mm	
no.	mm	t	Kn	Kg/pc.	mm	mm	mm									
EER000001L**	8 - 10	4.00	79	5.49	356	254	203	356	35.1	70.0	583	786	638	842	12.7	
EER000002L**	10 - 13	6.8	134	6.66	356	254	203	356	35.1	70.0	641	845	702	905	16.0	
EER000003L***	13 - 16	7.26	143	6.60	356	254	203	356	35.1	70.0	670	873	748	951	18.3	

* Il carico di rottura è 3 volte il carico massimo di lavoro. ** Corrisponde al carico massimo di lavoro della catena Grado 100 per entrambe le dimensioni. *** Corrisponde al carico massimo di lavoro della catena Grado 100 per la dimensione 1/2". * Ultimate Load is 3 times the Working Load Limit. ** Matches the Working Load Limit of Grade 100 chain for both sizes. *** Matches the Working Load Limit of Grade 100 chain for 13mm size.



Possibilità di utilizzo con catene Grado 70, 80 e 100.

Utilizzano i ganci bloccamaglia ad occhio standard di Crosby in acciaio legato A-323.

Nuovo design del braccio forgiato monoblocco.

La funzione di tensione continua permette una regolazione limitata dell'attacco del carico.

Assieme monoblocco senza bulloni o dadi che potrebbero perdersi.

Molla a cricchetto con trattamento antiruggine.

Tutte le parti portanti o di sostegno sono forgiate.

Cricchetto di facile utilizzo.

Upgraded for use with Grades 70, 80 and 100 Chain.

Utilizes standard Crosby A-323 Alloy Eye Grab Hooks.

New design "one piece" forged handle.

Continuous take-up feature provides finite adjustment to tie down load.

One piece assembly, no bolts or nuts to loosen.

Ratchet spring is rust proofed.

All load bearing or holding parts forged.

Easy operating positive ratchet.

R-10 Tendicatena a cricchetto senza ganci — R-10 Binder without Links and Hooks

Codice Code	Portata* WLL*	Peso Weight	Lunghezza braccio Handle length	Lunghezza barra Barrel length	Dispositivo di tensione Take up	Dimensioni Dimensions					
						A mm	B mm	C mm	E mm	E1 mm	F mm
no.	t	Kg/pc.	mm	mm	mm						
EER000004L	7.26	3.65	356	254	203	356	35.1	70.0	356	559	25.4

* Il carico di rottura è 3 volte il carico massimo di lavoro.* Ultimate Load is 3 times the Working Load Limit.

