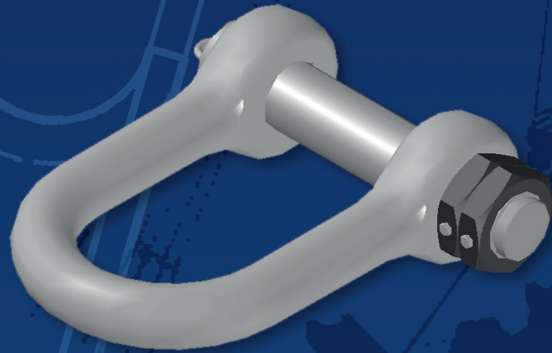


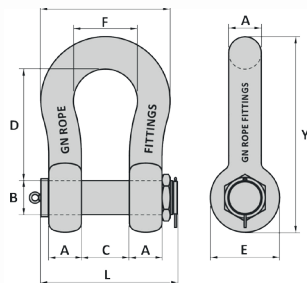
GN ROPE FITTINGS



ACCESSORI GN / GN ACCESSORIES

H10 grillo a lira perno/dado/coppiglia — H10 bow safety pin shackle

Codice Code	Portata WLL	Peso Weight	Dimensioni Dimensions								
			no.	t	Kg/pc.	A mm	B mm	C mm	D mm	E mm	F mm
FFFG00120G	120	110	89	95	150	380	200	238	420	416	617
FFFG00150G	150	160	102	108	170	400	230	275	475	479	671
FFFG00200G	200	235	120	125	180	500	260	290	520	530	813
FFFG00250G	250	285	125	140	205	540	260	305	560	555	865
FFFG00300G	300	340	130	150	205	600	305	305	570	565	958
FFFG00400G	400	560	165	175	230	680	350	325	665	655	1.108
FFFG00500G	500	689	180	185	255	700	370	350	720	710	1.158
FFFG00600G	600	880	195	205	285	700	405	375	815	765	1.200
FFFG00700G	700	980	205	217	310	700	435	400	860	810	1.231
FFFG00800G	800	1.100	210	217	310	700	435	400	870	820	1.236
FFFG00900G	900	1.280	220	230	330	700	465	420	910	860	1.268
FFFG01000G	1.000	1.460	230	240	350	750	480	420	950	880	1.290
FFFG01250G	1.250	2.320	278	270	370	780	590	450	1.105	1.010	1.490
FFFG01500G	1.500	2.450	280	290	370	800	610	450	1.105	1.010	1.530
FFFG01750G	1.750	3.280	300	330	430	950	660	540	1.230	1.140	1.745
FFFG02000G	2.000	3.920	320	360	460	1050	680	560	1.300	1.200	1.890



Temperatura di utilizzo: - 40 °C + 200 °C, per usi a basse temperature
Finitura: verniciato

Coefficiente di sicurezza: 5

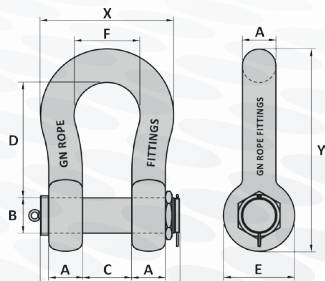
Temperature range: - 40 °C + 200 °C, polar rated

Finish: painted

Safety factor: 5

H10 super grillo a lira perno/dado/coppiglia — H10 super bow safety pin shackle

Codice Code	Portata WLL	Peso Weight	Dimensioni Dimensions								
			no.	t	Kg/pc.	A mm	B mm	C mm	D mm	E mm	F mm
FFFG00030GS	30	8.4	38	42	60	146	88	99	202	175	249
FFFG00040GS	40	15	45	50	74	178	103	126	249	216	300
FFFG00055GS	55	22	57	57	83	197	117	138	286	252	341
FFFG00085GS	85	42	70	70	105	260	143	180	344	320	437
FFFG00120GS	120	70	80	83	127	329	162	190	372	350	532
FFFG00150GS	150	110	90	95	135	380	200	240	405	420	613
FFFG00175GS	175	150	102	108	140	400	230	250	440	450	669
FFFG00200GS	200	225	120	121	180	500	260	290	525	530	811
FFFG00250GS	250	300	125	127	220	520	260	325	575	575	839
FFFG00300GS	300	352	135	152	220	500	305	330	605	610	869
FFFG00400GS	400	537	165	178	220	572	350	330	655	655	1.001



Temperatura di utilizzo: fino al 55 ton - 20 °C / + 200 °C

Finitura: fino al 55 ton verniciato - da 55 ton zincato

Coefficiente di sicurezza: 5

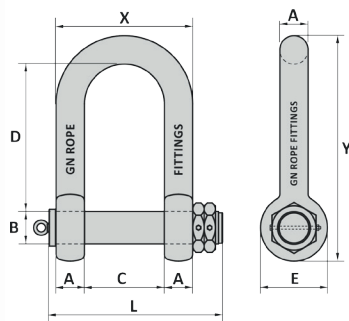
Temperature range: by 55 ton - 20 °C / + 200 °C

Finish: by 55 ton painted - from 55 ton galvanized

Safety factor: 5

H11 grillo diritto a vite con doppio dado e coppiglia — H11 heavy duty double nut shackle

Codice Code	Portata WLL	Peso Weight	Dimensioni Dimensions								
			A mm	B mm	C mm	D mm	E mm	L mm	X mm	Y mm	
no.	t	Kg/pc.									
FFFG11034G	34	23	50	65	140	285	115	345	240	425	
FFFG01060G	60	59	70	76	175	350	165	430	315	541	
FFFG11085G	85	85	80	90	220	390	178	505	380	604	
FFFG01110G	110	122	90	100	254	430	210	575	434	675	
FFFG01130G	130	170	100	114	290	480	235	620	480	755	
FFFG01200G	200	282	125	133	300	600	265	695	550	924	
FFFG01225G	225	349	130	146	333	720	305	735	593	1075	
FFFG1220018G	200	205	105	120	254	500	228	610	464	779	
FFFG1220021G	200	244	115	125	285	520	238	655	510	797	
FFFG1225015G	250	203	115	125	220	400	238	595	450	697	
FFFG1225018G	250	248	125	130	254	500	238	650	504	809	
FFFG1225021G	250	274	125	130	285	480	260	675	530	800	



Temperatura di utilizzo: - 40 °C + 200 °C, per usi a basse temperature

Finitura: zincato e coppiglie inox

Coefficiente di sicurezza: 5

Temperature range: - 40 °C + 200 °C, polar rated

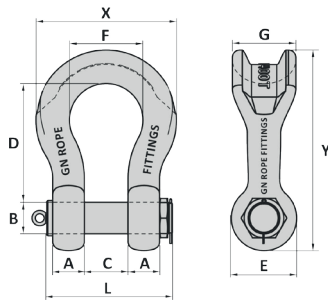
Finish: galvanized and stainless steel cotter pins

Safety factor: 5



H14 grillo a lira wide body — H14 wide body shackle

Codice Code	Portata WLL	Peso Weight	Dimensioni Dimensions										
			no.	t	Kg/pc.	A mm	B mm	C mm	D mm	E mm	F mm	G mm	L mm
FFFG10030G	30	14	35	44	65	180	90	128	80	202	45	204	292
FFFG10040G	40	21	45	51	84	200	109	140	97	252	53	232	331
FFFG10055G	55	33	65	56	95	250	130	160	110	300	55	288	400
FFFG10075G	75	53	75	70	110	300	150	185	120	345	60	334	485
FFFG10125G	125	84	85	80	140	370	165	220	150	395	80	390	583
FFFG10150G	150	115	90	95	150	400	200	250	170	420	90	429	638
FFFG10200G	200	183	105	105	160	480	225	275	205	470	110	484	755
FFFG10250G	250	255	120	120	180	550	240	300	230	520	125	540	850
FFFG10300G	300	368	140	134	195	600	280	350	265	580	140	628	947
FFFG10400G	400	571	160	160	230	620	330	370	320	655	170	689	1.035
FFFG10500G	500	719	170	180	265	680	350	440	340	710	180	779	1.125
FFFG10600G	600	960	180	200	290	720	405	490	370	795	190	847	1.213
FFFG10700G	700	1.350	210	215	320	780	465	540	400	880	210	957	1.330
FFFG10800G	800	1.400	220	230	345	800	465	555	420	925	220	990	1.358
FFFG10900G	900	1.850	235	250	370	850	480	585	440	1.010	235	1.060	1.450
FFFG11000G	1.000	2.050	235	270	400	850	530	615	460	1.050	240	1.091	1.490
FFFG11250G	1.250	3.000	275	300	455	960	570	645	560	1.210	285	1.205	1.695
FFFG11550G	1.550	3.300	275	320	485	980	610	680	580	1.240	290	1.240	1.745
FFFG11750G	1.750	4.700	310	360	500	1.120	660	700	600	1.325	300	1.346	1.960
FFFG12000G	2.000	4.800	320	385	520	1.140	680	720	620	1.365	310	1.368	2.012
FFFG12500G	2.500	5.400	330	400	520	1.140	740	730	635	1.380	320	1.383	2.065
FFFG13000G	3.000	5.800	340	420	530	1.140	760	740	650	1.410	330	1.413	2.080
FFFG13500G	3.500	6.800	350	440	540	1.140	790	750	670	1.480	340	1.480	2.130
FFFG14000G	4.000	7.200	360	460	550	1.140	810	760	690	1.510	350	1.510	2.140



Temperatura di utilizzo: fino a 40 ton - 20 °C / + 200 °C, per usi a basse temperature

Finitura: verniciato

Coefficiente di sicurezza: fino a ton. 2000: 5 – da 2.000 a 3.000 ton: 4.5 – oltre 3.000 ton: 4

Temperature range: by 40 ton - 20 °C / + 200 °C, polar rated

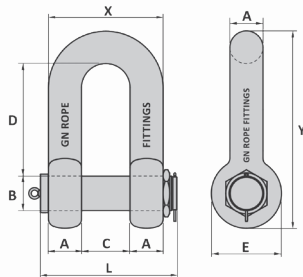
Finish: painted

Safety factor: by 2000 ton: 5 – from 2.000 to 3.000 ton: 4.5 – from 3.000 ton: 4



D15 grillo ad U — D15 dee Safety pin shackle

Codice Code	Portata WLL	Peso Weight	Dimensioni Dimensions								
			A mm	B mm	C mm	D mm	E mm	L mm	X mm	Y mm	
no.	t	Kg/pc.									
FFFGD15120	120	100	89	95	150	270	200	420	328	504	
FFFGD15150	150	143	102	108	170	315	230	475	374	586	
FFFGD15175	175	135	100	110	150	360	220	450	350	625	
FFFGD15200	200	239	120	125	180	500	260	520	420	813	
FFFGD15250	250	268	130	140	195	460	280	565	455	795	
FFFGD15300	300	332	140	150	205	500	300	595	485	855	
FFFGD15350	350	403	150	160	220	520	320	630	520	910	
FFFGD15400	400	484	160	170	235	580	340	665	555	965	
FFFGD15450	450	576	170	180	250	600	360	700	590	1.025	
FFFGD15500	500	678	180	190	265	620	380	735	625	1.080	
FFFGD15600	600	837	190	205	285	665	410	795	665	1.063	

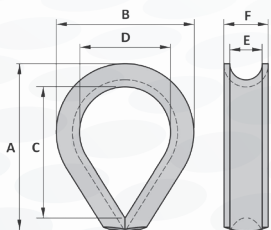


Temperatura di utilizzo: - 40 °C + 200 °C
 Finitura: verniciato
Coefficiente di sicurezza: 5

Temperature range: - 40 °C + 200 °C
 Finish: painted
Safety factor: 5

Redance pesanti K2 — K2 heavy duty Stub-end thimble

Codice Code	Peso Weight	Diametro fune Rope diameter	Dimensioni Dimensions					
			A inch	B mm	C mm	D mm	E mm	F mm
no.	Kg/100	mm						
GGE000100S	8.2	10	2	42	35	22	9	14
GGE000120S	10	12	2.5	50	45	30	11	16
GGE000130S	20	13	3	50	55	35	13	18
GGE000140S	26	14	3.5	73	65	45	15	20
GGE000160S	36	16	4	75	75	50	17	22
GGE000180S	50	18	4.5	85	80	53	19	25
GGE000200S	60	20	5	100	90	60	21	29
GGE000220S	70	22	5.5	110	95	65	23	33
GGE000240S	100	24	6	115	120	70	25	34
GGE000280S	160	28	7	135	140	80	30	38
GGE000320S	180	32	8	155	160	100	33	44
GGE000360S	350	36	9	175	185	115	38	49
GGE000400S	440	40	10	190	195	120	41	52
GGE000460S	520	46	11	210	215	130	46	60
GGE000500S	730	50	12	245	250	145	52	65
GGE000540S	1.100	54	14	260	290	155	60	72
GGE000560S	1.600	56	17	310	370	190	70	84
GGE000580S	2.750	58	19	350	420	230	81	119
GGE000600S	3.650	60	22	395	480	255	92	130
GGE000620S	4.400	62	24	430	540	280	105	145
GGE000640S	4.700	64	26	450	580	285	120	155



Temperatura di utilizzo: - 20 °C + 200 °C, per usi a basse temperature
 Finitura: zincata

Temperature range: - 20 °C + 200 °C, polar rated
 Finish: galvanized